

Provides several enhancements over the first generation

## THE SECOND GENERATION THREE TERMINAL PACKAGE INTELLIGENT POWER DEVICE SERIES FOR PWM CONVERTER

### Feature

- Integrated PWM controller and 700V high voltage MOSFET in three terminal Package.
- Several protection circuits are included(OCL, OTP, Timer auto restart mode etc).

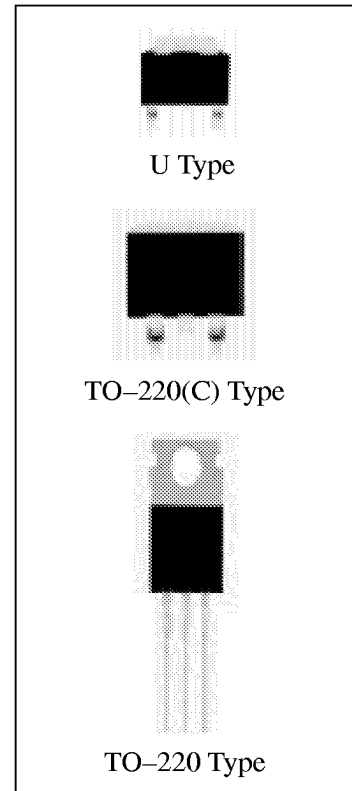
### Application

- Power supply system :Flyback, Buck Boost, Forward.
- Output power :5~90W(Input voltage:85~264VAC).
- Application :AC.adapter, Charger etc.

### Merit

- Reduction of size and meight(few parts).
- Simplifies design :Low noise, Reduces times time to market, Easy to design, High reliability.
- Low cost :Low assembly cost, High efficiency.

### Package photograph



### Line-up

Product No.	Input Voltage	Output Power	Characteristics			Package	ES	PI. Product No.
			V <sub>DSS</sub>	I <sub>DP</sub>	f <sub>osc</sub>			
MIP0221SY	85~ 264VAC	0~7W	700V	0.28A	100kHz	TO-220 TO-220(C) Upack DIL-8D	yes	TOP221Y
MIP0222SY		7~15W		0.55A				TOP222Y
MIP0223SY		15~30W		1.10A				TOP223Y
MIP0224SY		20~45W		1.65A				TOP224Y
MIP0225SY		30~60W		2.20A				TOP225Y
MIP0226SY		35~75W		2.75A				TOP226Y
MIP0227SY		45~90W		3.30A				TOP227Y
MIP0122SY		85~ 132VAC		30W				400V
MIP0123SY	60W		2.15A	TOP123Y				
MIP0124SY	80W		3.10A	TOP124Y				
MIP0125SY	120W		4.60A	TOP125Y				
MIP0129SY	150W		10.00A	TOP129Y				

¶ The products and specifications are subject to change without any notice. Please ask for the latest Product Standards to guarantee the satisfaction of your product requirements.

Matsushita Electronics Corporation

1, Kotari Yakemachi, Nagaokakyo, Kyoto, 617-8520 Japan

Tel. (075) 951-8151

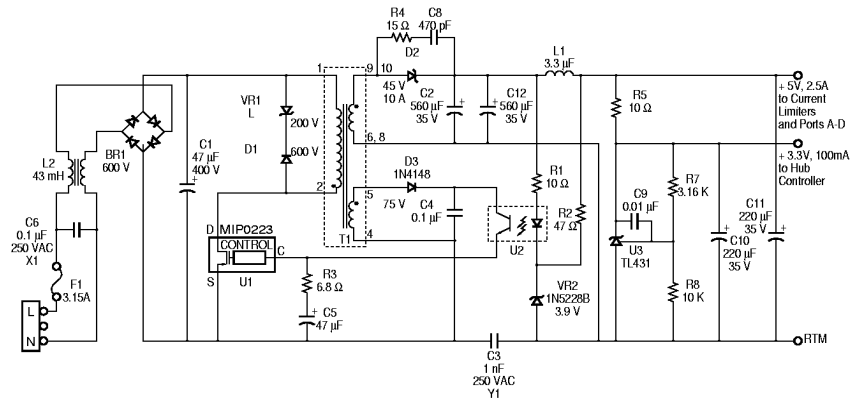
<http://www.mec.panasonic.co.jp>

D00025CE

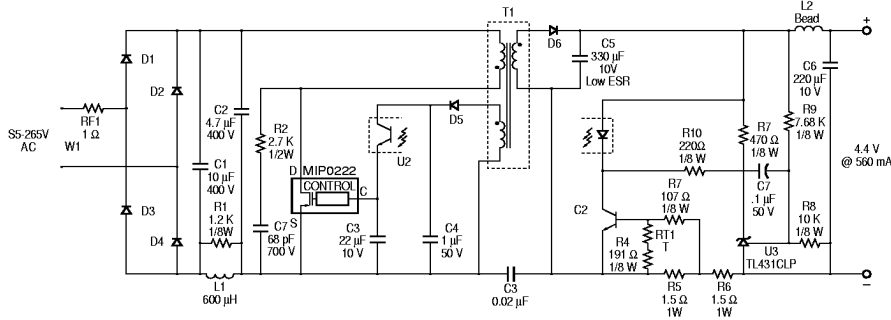
New publication, effective from May, 6 1998

## SWITCHING POWER SUPPLY CIRCUIT

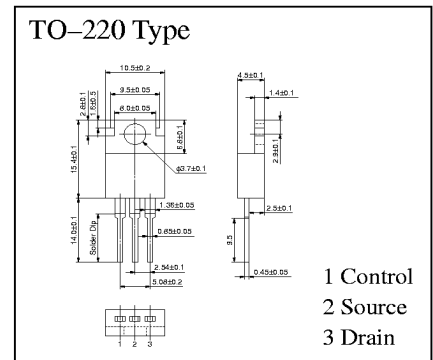
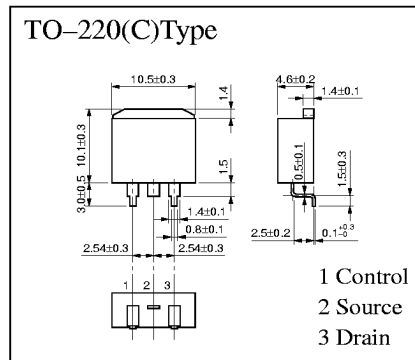
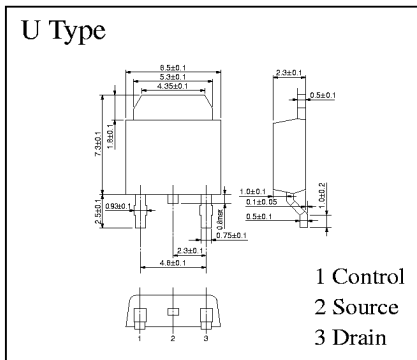
### ● FLYBACK TYPE



### ● CHARGER



## OUT-LINE



## PROUCT No./PACKAGE TYPE

MIP022X **A** **B** **C**

Package		<b>A</b>	<b>B</b>	<b>C</b>
TO-220		S	Y	
TO-220(C)		S	C	Z
	SMD	S	C	Y
	SMD(Taping)	S	C	L
U-pack		S	U	Z
	SMD	S	U	Y
	SMD(Taping)	S	U	L
DIL-8D		S	P	