

# COSMO ELECTRONICS CORPORATION

## Product Change Notification

CN No.:04M01001

JUNE,2004

Product Name : Photo Triac

Part Numbers: All 6 pins Series of KMOC302X/ 304X/305X/ 306X 308X ;

Type of Change : Package pin numbers from 6 pins to 5 pins.

### Forecasted Milestones of this change

New package Support Begin	Jun.1,2004
Last Order Date for being changed package	Aug.31,2004
Last Shipment Date for being changed package	Sep.30,2004

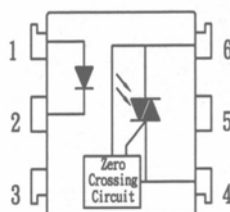
### Description of change

The package of **Photo Triac** mentioned above is originally designed into Dual-In-Line /6 pins. The 5<sup>th</sup> pin is only connected to substrate with functionless and indicated on data sheet “Substrate do not connect” (Please see the Fig 1 below). In case not to confuse customers, COSMO decides to de-junk off the 5<sup>th</sup> pin to simplify and correct usage on customers’ devices. This change will not impact customers’ application and will maintain the same electrical characteristics; furthermore, there is better prevention from disorientation when put onto the PCB.

### Effectiveness of change

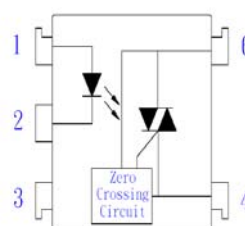
Electrical characteristics and package size will remain the same. There is no need for customers to re-layout current design or process even the 5<sup>th</sup> pin is cut off.

( Fig.1 )

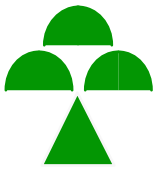


1. Anode
2. Cathode
3. NC
4. Main Terminal
5. Substrate Do Not Connect
6. Main Terminal

( Fig.2 )



1. Anode
2. Cathode
3. NC
4. Main Terminal
6. Main Terminal

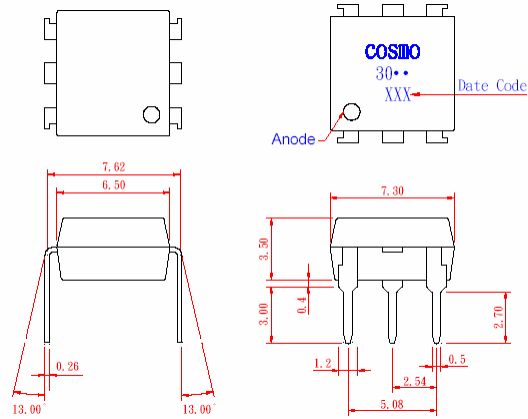
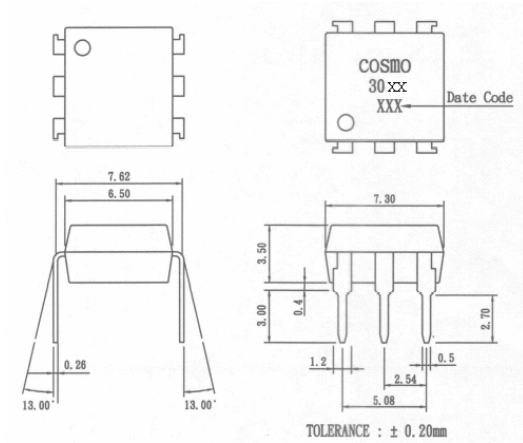


# COSMO ELECTRONICS CORPORATION

(Fig.1)

(Fig.2)

Outside Dimension



(Original)

(NEW)

## Suggested Alternate Devices, Refer to the list below

OBSOLETE COSMO PART NO.	SUGGESTED ALTERNATE PART NO.	REMARKS
KMOC302XX10	KMOC302XX11	
KMOC304XX10	KMOC304XX11	
KMOC305XX10	KMOC305XX11	
KMOC306XX10	KMOC306XX11	
KMOC308XX10	KMOC308XX11	

Please contact with the sales representative of **cosmo** if there is any question on the change above, and Please be informed about this change.

Sales : \_\_\_\_\_

Tel : 886-2-8227-1877 ext

Fax : 886-2-8227-1855

e-mail : \_\_\_\_\_@cosmo-ic.com