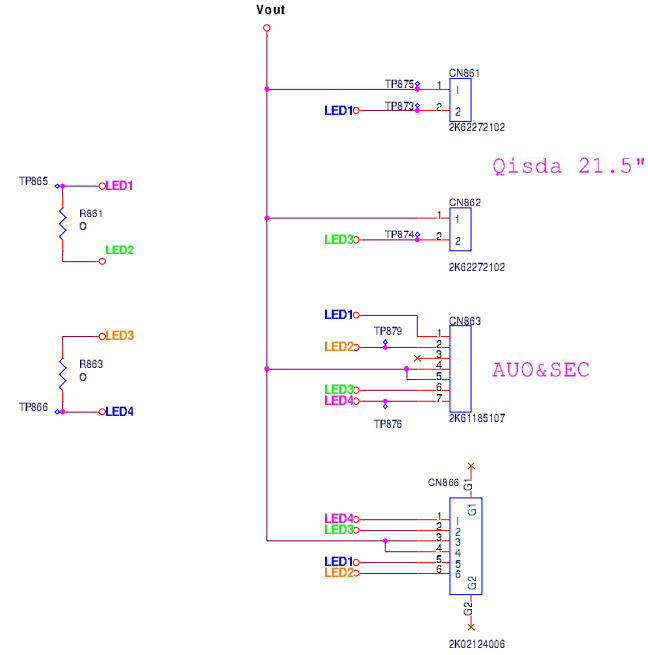


OCP
 CMI Ip=0.92
 LG Ip=1.086
 BMS Ip=0.918

CMI M215HGE-L10
 Max voltage: 47.6V (OVP SET 49.14V)
 LED current: ?mA ~ 50mA ~ 56mA
 14S / 4Ch
 OVP SET R810--> 7.5K (6D.75015.551)
 OVP SET R819--> 300K (6D.30035.551)
 7.5K // 300K = 7.311K
 ISET SET R815--> 18.7K (6D.18725.551)



AUO M215HW03-V1
 Max voltage: 57.6V OVP SET 58.6V
 LED current: ?mA ~ 60mA ~ 63mA
 16S / 4Ch
 OVP SET R810--> 7.5K (6D.75015.551)
 OVP SET R819--> 33K (6D.33025.551)
 7.5K // 33K = 6.11K
 ISET SET R815--> 15.4K (6D.15425.551)

Qisda Corporation				
Project Code	Model Name	OEM/ODM Model Name		
9J.1LD72.000	BENQ	GI 2250		
Title <Title>				
Size	PCB P/N	PCB Rev.	Document Number	Rev.
<Size>	4H 11D02 A00	A00	<Doc>	<Rev>
Date: Tuesday, August 09, 2011		Sheet	2 of 4	
Prepared By	Reviewed By	Approved By		
BENQ-HVEM	Tab Yen	XXXX		