

[PFC & MULTI SECTION]

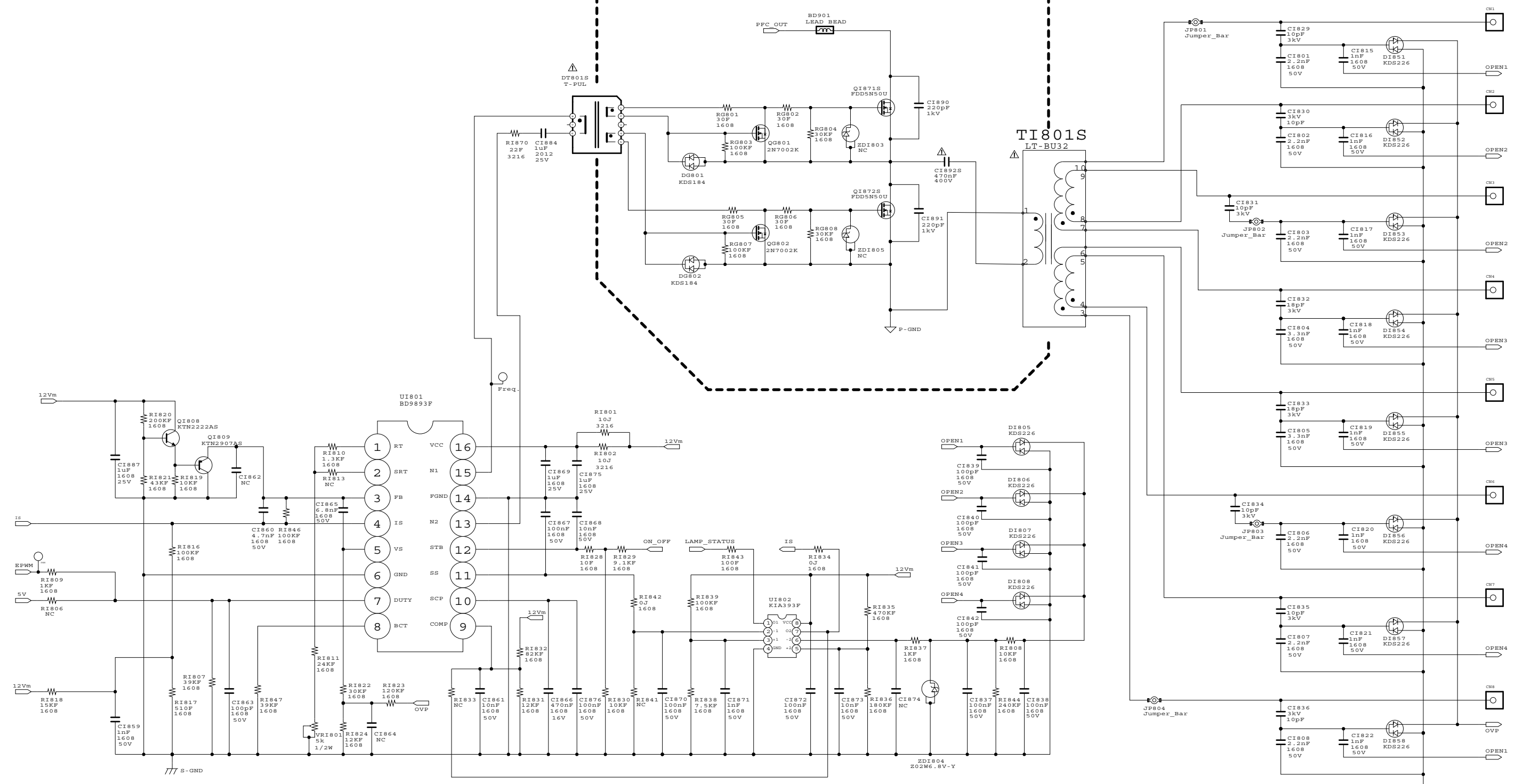
[ReMARK] NC : NO CONNECTION



USER	TOSHIBA CORPORATION	DATE	2011.06.17
MODEL NAME	T32LIPS-VE	SCALE	
REV	Rev R.A	CHECKED	Y. K. KANG
PDM NUMBER	PSIV161C01V V71A00016500	APPROVED	Harry Choi

NOTE

COLD HOT HOT COLD



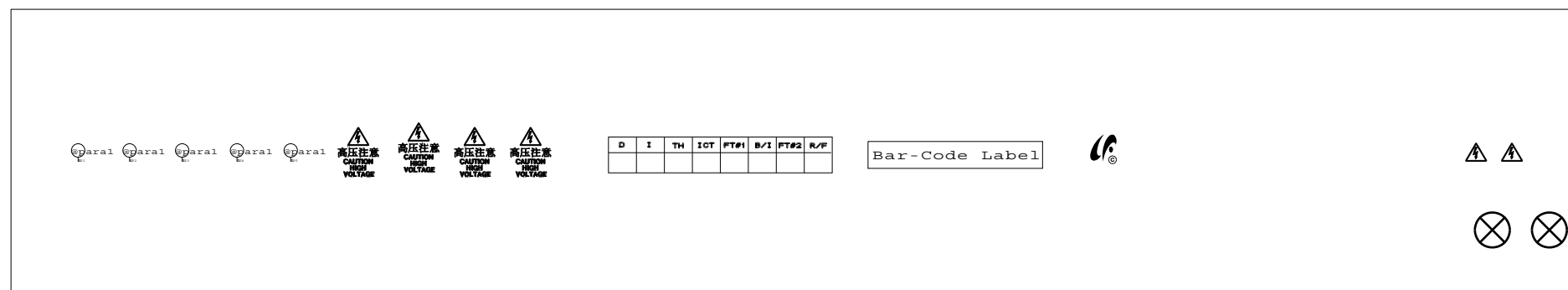
NOTE
[INVERTER SECTION]

[REMARK] NC : NO CONNECTION



USER	TOSHIBA CORPORATION	DATE	2011.06.17
MODEL NAME	T32LIPS-VE	SCALE	
REV	Rev R.A	CHECKED	Y. K. KANG
PDM NUMBER	PSIV161C01V V71A00016500	APPROVED	Harry Choi

[Etc.]



NOTE

[ETC. For PCB design]



USER	TOSHIBA CORPORATION	DATE	2011.06.17
MODEL NAME	T32LIPS-VE	SCALE	
REVISION	Rev R.A	CHECKED	Y. K. KANG
PDM NUMBER	PSIV161C01V V71A00023700	APPROVED	Harry Choi