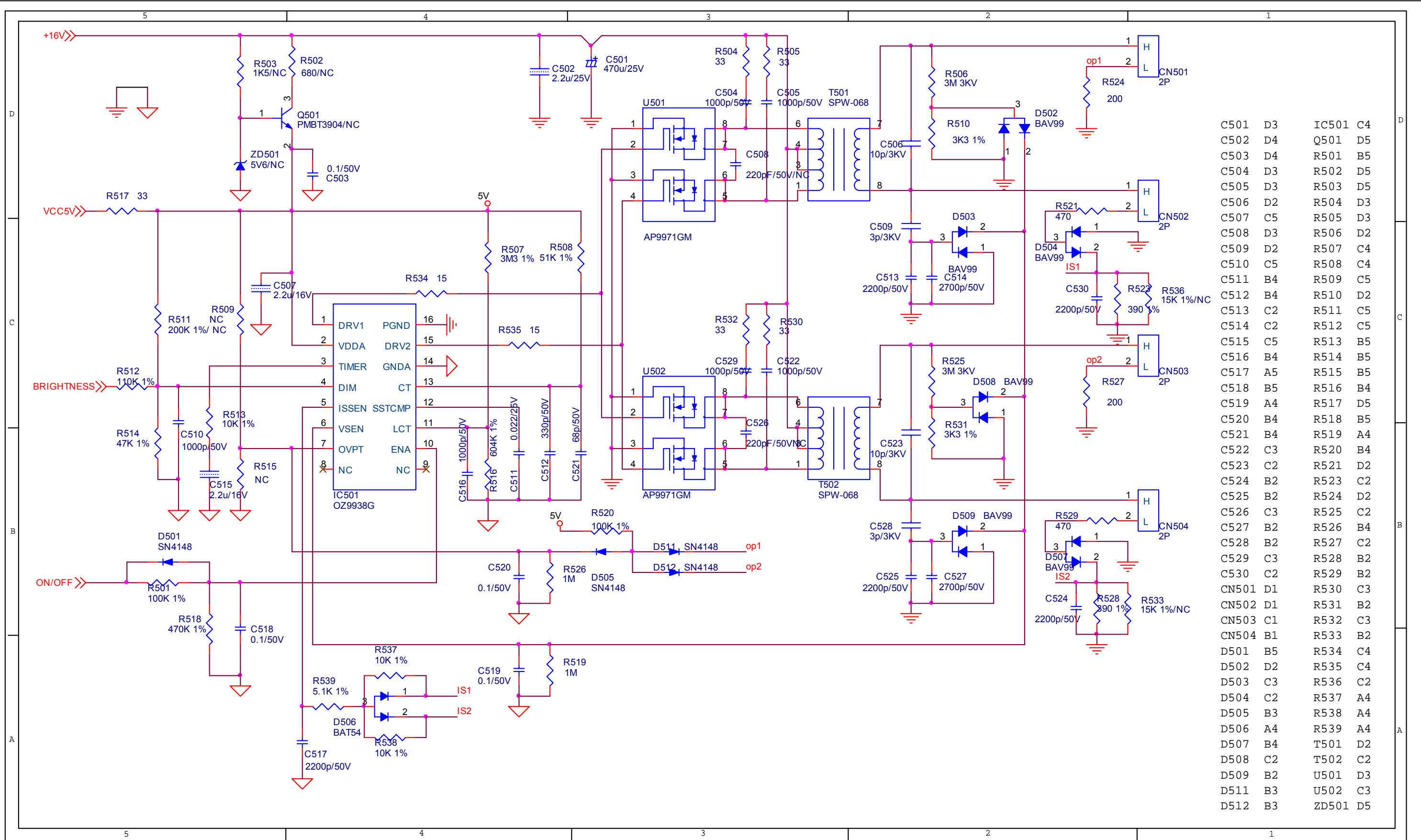
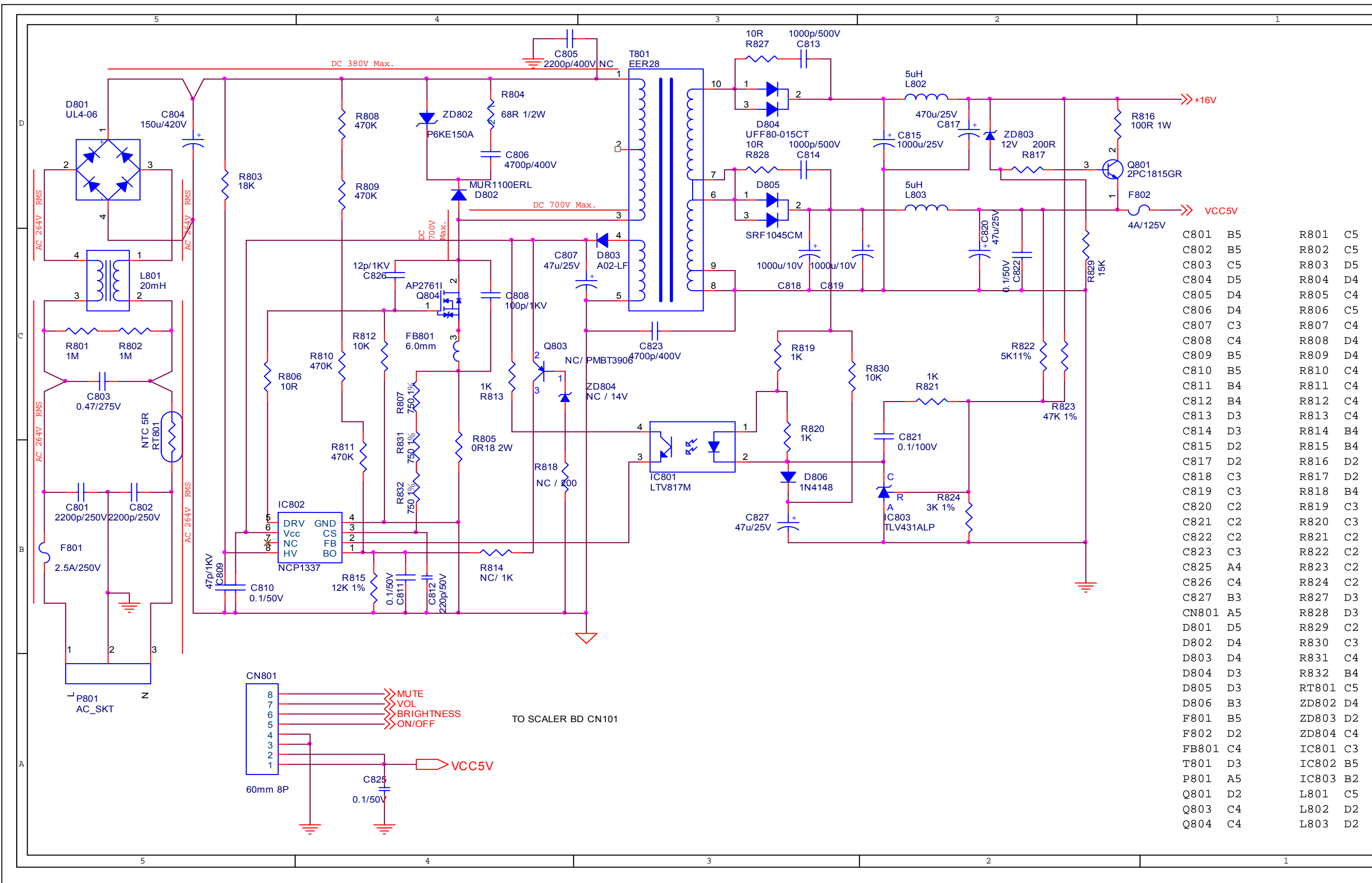


Schematic Diagram(Power Board)



C501	D3	IC501	C4
C502	D4	Q501	D5
C503	D4	R501	B5
C504	D3	R502	D5
C505	D3	R503	D5
C506	D2	R504	D3
C507	C5	R505	D3
C508	D3	R506	D2
C509	D2	R507	C4
C510	C5	R508	C4
C511	B4	R509	C5
C512	B4	R510	D2
C513	C2	R511	C5
C514	C2	R512	C5
C515	C5	R513	B5
C516	B4	R514	B5
C517	A5	R515	B5
C518	B5	R516	B4
C519	A4	R517	D5
C520	B4	R518	B5
C521	B4	R519	A4
C522	C3	R520	B4
C523	C2	R521	D2
C524	B2	R522	C2
C525	B2	R523	D2
C526	C3	R524	C2
C527	B2	R525	C2
C528	B2	R526	B4
C529	C3	R527	C2
C530	C2	R528	B2
C530	C2	R529	B2
CN501	D1	R530	C3
CN502	D1	R531	B2
CN503	C1	R532	C3
CN504	B1	R533	B2
D501	B5	R534	C4
D502	D2	R535	C4
D503	C3	R536	C2
D504	C2	R537	A4
D505	B3	R538	A4
D506	A4	R539	A4
D507	B4	T501	D2
D508	C2	T502	C2
D509	B2	U501	D3
D511	B3	U502	C3
D512	B3	ZD501	D5

Schematic Diagram(Power Board)



C801	B5	R801	C5
C802	B5	R802	C5
C803	C5	R803	D5
C804	D5	R804	D4
C805	D4	R805	C4
C806	D4	R806	C5
C807	C3	R807	C4
C808	C4	R808	D4
C809	B5	R809	D4
C810	B5	R810	C4
C811	B4	R811	C4
C812	B4	R812	C4
C813	D3	R813	C4
C814	D3	R814	B4
C815	D2	R815	B4
C817	D2	R816	D2
C818	C3	R817	D2
C819	C3	R818	B4
C820	C2	R819	C3
C821	C2	R820	C3
C822	C2	R821	C2
C823	C3	R822	C2
C825	A4	R823	C2
C826	C4	R824	C2
C827	B3	R827	D3
CN801	A5	R828	D3
D801	D5	R829	C2
D802	D4	R830	C3
D803	D4	R831	C4
D804	D3	R832	B4
D805	D3	RT801	C5
D806	B3	ZD802	D4
F801	B5	ZD803	D2
F802	D2	ZD804	C4
FB801	C4	IC801	C3
T801	D3	IC802	B5
P801	A5	IC803	B2
Q801	D2	L801	C5
Q803	C4	L802	D2
Q804	C4	L803	D2